

BIMETALLIC STEAM TRAPS AND AIR VENTS BM–HC

DESCRIPTION

The ADCA BM–HC series of bimetallic steam traps and air vents are simple and robust traps, recommended for process applications where high loads are involved.

Tailor made to meet application requirements and supplied with several bimetallic regulators in order to achieve the required discharge capacity for the application in hands.

MAIN FEATURES

Modulating discharge.
Discharges condensate below steam saturation temperature.
Excellent air discharge.
Operates with superheated steam.
Unaffected by water hammer and vibrations.

OPTIONS: Complete stainless steel construction.
Different capacities and designs.

USE: Saturated and superheated steam.

AVAILABLE MODELS: BMHC04, BMHC05, BMHC06, BMHC08 and BMHC10.

SIZES: 1 1/2" to 5"; DN 40 to DN 125.

CONNECTIONS: Flanged EN 1092-1 PN 16, PN 40 or PN 63.
Flanged ASME B16.5 Class 150, 300 or 600.

INSTALLATION: Vertical installation.
See IMI – Installation and maintenance instructions.



CE MARKING – GROUP 2 (PED – EUROPEAN DIRECTIVE)

| PN 16 | | PN 40 | | PN 63 | |
|---------------------------|---------------|---------------------------|---------------|---------------------------|---------------|
| MODEL * | CATEGORY | MODEL * | CATEGORY | MODEL * | CATEGORY |
| BMHC04, BMHC05 and BMHC06 | SEP | BMHC04, BMHC05 and BMHC06 | 1 (CE marked) | BMHC04, BMHC05 and BMHC06 | 1 (CE marked) |
| BMHC08 | 1 (CE marked) | BMHC08 and BMHC10 | 2 (CE marked) | BMHC08 | 2 (CE marked) |
| BMHC10 | 2 (CE marked) | BMHC10 | 2 (CE marked) | – | – |

* All sizes belonging to the same model are within the same category.

BODY LIMITING CONDITIONS *

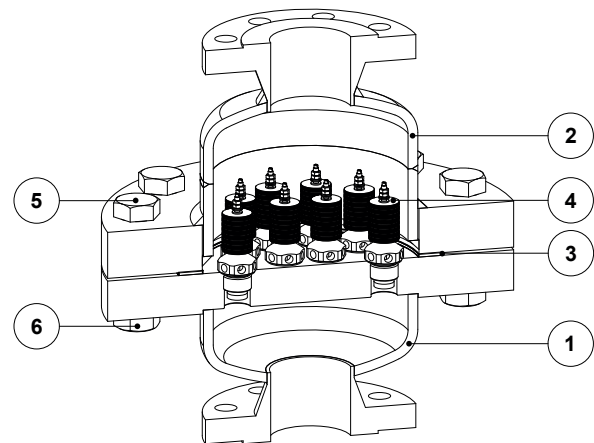
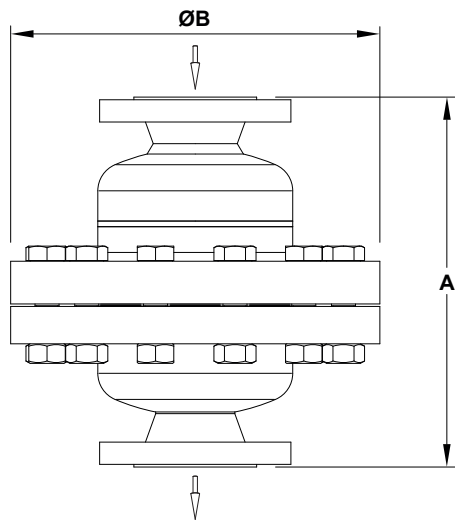
| PN 16 | | CLASS 150 | | PN 40 / CLASS 300 | | PN 63 / CLASS 600 | |
|--------------------|---------------------|--------------------|---------------------|--------------------|---------------------|--------------------|---------------------|
| ALLOWABLE PRESSURE | RELATED TEMPERATURE | ALLOWABLE PRESSURE | RELATED TEMPERATURE | ALLOWABLE PRESSURE | RELATED TEMPERATURE | ALLOWABLE PRESSURE | RELATED TEMPERATURE |
| 16 bar | 50 °C | 16 bar | 50 °C | 40 bar | 50 °C | 63 bar | 50 °C |
| 14 bar | 100 °C | 14 bar | 100 °C | 37 bar | 100 °C | 58 bar | 100 °C |
| 13 bar ** | 195 °C | 13 bar ** | 195 °C | 31 bar ** | 239 °C | 47 bar ** | 261 °C |
| 12 bar | 250 °C | – | 250 °C | 27 bar | 300 °C | 43 bar | 300 °C |

* Rating according to EN 1092-1:2018.

** PMO – Maximum operating pressure; TMO – Maximum operating temperature: 300 °C.

Minimum operating temperature: -10 °C; Design code: AD – Merkblatt.

Body limiting conditions PN 63 or below, depending on the type of connection adopted.



DIMENSIONS (mm)

| MODEL | SIZE | | | MAX. NO. OF REG. * | PN 16 | | | PN 40 | | | PN 63 | | |
|--------------------|-------------------------------|-------------------------------|-------------------------------|--------------------|-------|-----|---------|-------|-----|---------|-------|-----|---------|
| | PN 16 | PN 40 | PN 63 | | A | ØB | WGT. ** | A | ØB | WGT. ** | A | ØB | WGT. ** |
| BM (a) HC04-(b) | 11/2" and 2" DN 40 and 50 | 11/2" and 2" DN 40 and 50 | 11/2" and 2" DN 40 and 50 | 3 | 241 | 220 | 19,2 | 259 | 235 | 25 | 301 | 250 | 38,5 |
| BM (a) HC05-(b) | 2" and 2 1/2" DN 50 and 65 | 2" and 2 1/2" DN 50 and 65 | 2" and 2 1/2" DN 50 and 65 | 6 | 242 | 250 | 24,3 | 281 | 270 | 35 | 325 | 295 | 51,3 |
| BM (a) HC06-(b) | 2 1/2" and 3" DN 65 and 80 | 2 1/2" and 3" DN 65 and 80 | 2 1/2" and 3" DN 65 and 80 | 8 | 262 | 285 | 32,9 | 317 | 300 | 46,4 | 358 | 345 | 72,4 |
| BM (a) HC08-(b) | 2 1/2" and 3" DN 65 and 80 | 2 1/2" and 3" DN 65 and 80 | 2 1/2" and 3" DN 65 and 80 | 14 | 311 | 340 | 49,6 | 367 | 375 | 82 | 413 | 415 | 111,7 |
| BM (a) HC10-(b) | 5" – DN 125 | 2 1/2" and 3" DN 65 and 80 | – | 20 | 386 | 405 | 81,7 | 430 | 450 | 126,5 | – | – | – |

(a) Insert the regulator type, selected from a single steam trap regulator DN40–50 (BM24 or BM32) or DN15–25 (BM87, 88 and 89);

(b) Insert the number of regulators according to the desired flow rate and maximum permissible number mentioned in the next column.

* Maximum number of regulators per model; ** Approximate weights in kg.

How to order: BM32HC06-6 DN 80 PN 40 – High capacity bimetallic steam trap with six BM32 DN 40/50 regulators.

Remarks: The operating limit conditions can never be superior to those of the body, regardless of which regulators are chosen. If the selected regulator is intended to work above the operating conditions mentioned in this information sheet, please consult the manufacturer for an alternative.

MATERIALS

| POS. No. | DESIGNATION | MATERIAL |
|----------|------------------------|---|
| 1 | Body | P250GH / 1.0460; P265GH / 1.0425 |
| 2 | Cover | P235GH / 1.0345; P250GH / 1.0460; P265GH / 1.0425 |
| 3 | * Gasket | Stainless steel / Graphite |
| 4 | * Bimetallic regulator | Corrosion resistant bimetal; Stainless steel |
| 5 | Bolt | Steel 8.8 |
| 6 | Nut | Steel 8.8 |

* Available spare parts.